

一用就上手3D列印設計
AUTODESK 123D
Tinkercad 3D 設計網站

網址連結：

<https://www.tinkercad.com/>

編製者：陳培文

中華民國104年2月3日

網站首頁

The image shows a screenshot of the Tinkercad website homepage. The browser window title is "Tinkercad | Create 3D digital". The address bar shows "https://www.tinkercad.com". The page features a navigation menu with "FEATURES", "LEARN", "GALLERY", and "BLOG", along with "SIGN IN" and a "CREATE FREE ACCOUNT" button. The main content area has the headline "The easiest, fiercest 3D design tool around." and a sub-headline "Tinkercad is a free, easy-to-learn online app anyone can use to create and print 3D models." Below this is a "Start Tinkering now" button. The background features a 3D illustration of a knight, a castle, and a motorcycle on a grid floor.

TINKERCAD

FEATURES LEARN GALLERY BLOG SIGN IN CREATE FREE ACCOUNT

Community Challenge: Help Peter find his Valentine! Make some contestants for him in the #PenguinDatingGame for a chance to get Tinkercad gear.

The easiest, fiercest 3D design tool around.

Tinkercad is a free, easy-to-learn online app anyone can use to create and print 3D models.

Start Tinkering now

創立一個自己的免費帳號

1 SIGN IN **CREATE FREE ACCOUNT**

AUTODESK® TINKERCAD®
歡迎使用 Tinkercad

2 國家/地區
臺灣

3 生日
月 天 年

4 下一步

AUTODESK® TINKERCAD®
即將完成

也可以用 FB 註冊喔

以 Facebook 註冊

更多提供者

電子郵件
5 範例：me@example.com

密碼
6 密碼

當按下 建立帳戶，即表示您同意條款與隱私權聲明。

7 建立帳戶

登入 Tinkercad

The image shows a browser window at <https://www.tinkercad.com>. A central modal window is displayed with the following text:

Have an existing Tinkercad.com account?
Tinkercad has been using Autodesk ID for sign in since October 20, 2014.
[Click here to migrate your account today.](#)
If you need help, check out [our migration FAQ here](#) (may need to scroll down).

Below the modal, the login form includes:

- A button: 使用 Facebook 登入
- A link: 更多提供者
- A label: 使用者名稱
- An input field: Autodesk ID 或電子郵件 (Annotated with a red circle and the number 2)
- A label: 密碼
- An input field: 密碼 (Annotated with a red circle and the number 3)
- A link: 忘記密碼?
- A button: 登入 (Annotated with a red circle and the number 4)

At the top right of the page, there are two buttons: SIGN IN (Annotated with a red circle and the number 1) and CREATE FREE ACCOUNT.

Background text on the page includes: "The easiest, fiercest 3D design tool a...", "Tinkercad is a free, easy-to-learn app anyone can use to create 3D models.", and "Start Tinkering now".

Tinkercad 首頁

The screenshot shows the Tinkercad website homepage in a browser window. The browser's address bar displays <https://www.tinkercad.com>. The page features a navigation menu with links for **FEATURES**, **LEARN**, **GALLERY**, and **BLOG**. A search bar is located in the top right corner. The main content area displays a user profile for **cpw**, including a profile picture of a blue robot, the text "Edit profile", and a notification that the user is currently using a **free account**. Below the profile, there is a section titled **All designs** with the text "Here are the designs you have created or which have been shared with you." and a **Create new design** button. A sidebar on the left contains a search bar, a **COLLECTIONS** menu with "All designs" and "Lessons" options, and a **PROJECTS** section with "Project 1". The bottom of the page shows a Windows taskbar with the system clock at 下午 09:20.

首頁功能介紹-FEATURES

產品介紹

Tinkercad.com Features | Tinl x

培文

https://www.tinkercad.com/about/features

應用程式 學術 學習 平鎮 研習 A 線上學習 網站 慕課MOOC 遊戲 YOUTUBE 交通運輸 其他 3D繪圖 其他書籤

TINKERCAD **FEATURES** LEARN GALLERY BLOG

Tinkercad features

Tinkercad is an easy, browser-based 3D design and modeling tool for all. Tinkercad allows users to imagine anything and then design it in minutes.

Tinkercad Tutorial Video

The first CAD tool for 3D printers

Tinkercad is a powerful and easy to use web application that lets you turn your idea into a 3D printable design in minutes.

Start the editor

Learn to use Tinkercad in three easy steps

It's easy to use!

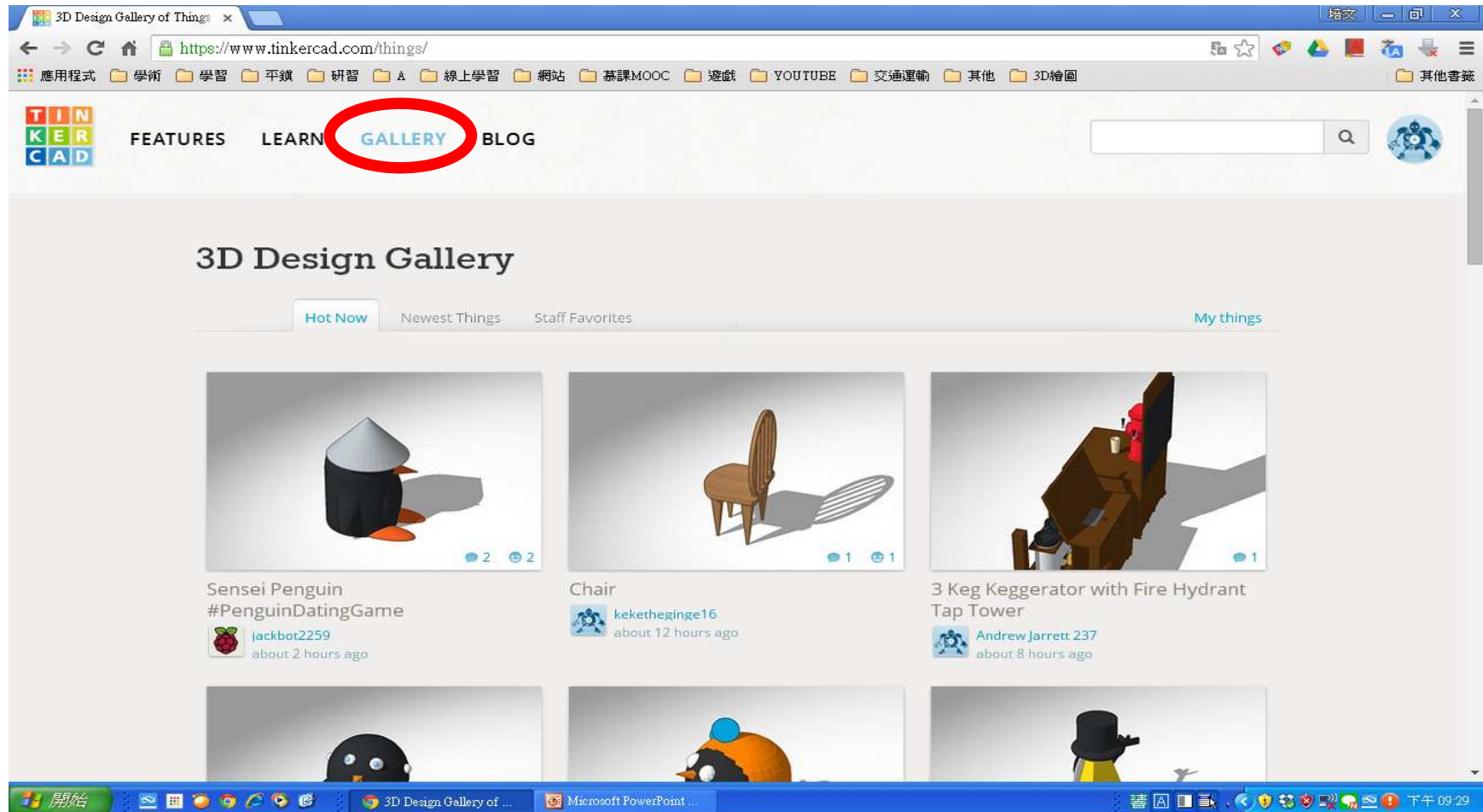
開始 Tinkercad.com Feature... Microsoft PowerPoint... 下午 09:25

首頁功能介紹-LEARN 學習課程

The screenshot displays the Tinkercad website's 'LEARN' page. The browser's address bar shows the URL <https://www.tinkercad.com/quests/>. The navigation menu includes 'FEATURES', 'LEARN' (highlighted with a red circle), 'GALLERY', and 'BLOG'. The main heading is 'Tinkercad lessons', followed by the text 'Play these step-by-step lessons and become a master of Tinkercad.' Below this, a section titled 'Play these next' features four lesson cards: 'Lesson: Luggage tag' (marked 'DONE'), 'Lesson: Chess Pawn', 'Lesson: Saw shaped wrench', and 'Lesson: Money clip'. Each card includes a 'Begin Lesson' button. The 'Basics' section is partially visible at the bottom. The Windows taskbar at the bottom shows the system tray with the time '下午 09:28' and several open applications.

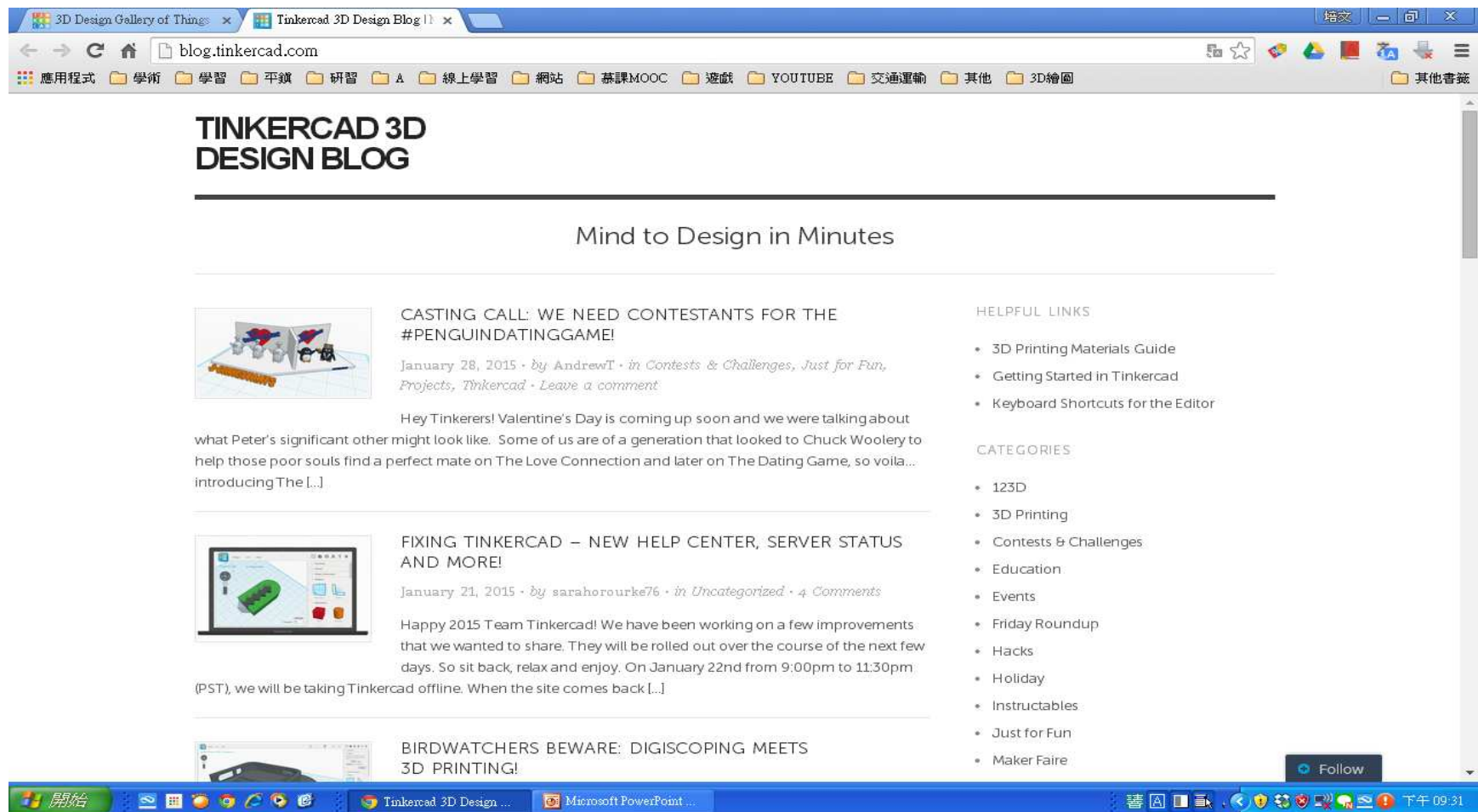
首頁功能介紹-GALLERY

3D 模型庫



首頁功能介紹-BLOG

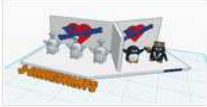
TINKERCAD 3D 設計部落格



The screenshot shows a web browser window displaying the Tinkercad 3D Design Blog homepage. The browser's address bar shows the URL blog.tinkercad.com. The page features a header with the title "TINKERCAD 3D DESIGN BLOG" and a subtitle "Mind to Design in Minutes". The main content area is divided into three columns. The left column contains three blog posts, each with a thumbnail image, a title, a date, author, and a short paragraph. The middle column contains a "HELPFUL LINKS" section with three links and a "CATEGORIES" section with a list of categories. The right column contains a "Follow" button. The Windows taskbar at the bottom shows the Start button, several application icons, and the system tray with the time "下午 09:31".

TINKERCAD 3D DESIGN BLOG

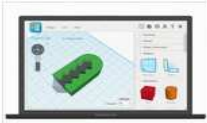
Mind to Design in Minutes



CASTING CALL: WE NEED CONTESTANTS FOR THE #PENGUINDATINGGAME!

January 28, 2015 · by AndrewT · in *Contests & Challenges, Just for Fun, Projects, Tinkercad* · [Leave a comment](#)


Hey Tinkerers! Valentine's Day is coming up soon and we were talking about what Peter's significant other might look like. Some of us are of a generation that looked to Chuck Woolery to help those poor souls find a perfect mate on The Love Connection and later on The Dating Game, so voila... introducing The [...]



FIXING TINKERCAD – NEW HELP CENTER, SERVER STATUS AND MORE!

January 21, 2015 · by sarahorourke76 · in *Uncategorized* · [4 Comments](#)

Happy 2015 Team Tinkercad! We have been working on a few improvements that we wanted to share. They will be rolled out over the course of the next few days. So sit back, relax and enjoy. On January 22nd from 9:00pm to 11:30pm (PST), we will be taking Tinkercad offline. When the site comes back [...]



BIRDWATCHERS BEWARE: DIGISCOPING MEETS 3D PRINTING!

HELPFUL LINKS

- [3D Printing Materials Guide](#)
- [Getting Started in Tinkercad](#)
- [Keyboard Shortcuts for the Editor](#)

CATEGORIES

- [123D](#)
- [3D Printing](#)
- [Contests & Challenges](#)
- [Education](#)
- [Events](#)
- [Friday Roundup](#)
- [Hacks](#)
- [Holiday](#)
- [Instructables](#)
- [Just for Fun](#)
- [Maker Faire](#)

[Follow](#)

準備好了嗎？

開始創造自己的3D模型吧！

準備開始設計一個3D模型

The image shows a screenshot of the Tinkercad website dashboard. At the top, there is a navigation bar with the Tinkercad logo and links for FEATURES, LEARN, GALLERY, and BLOG. Below this, a user profile for 'cpw' is visible, including a profile picture of a robot and a 'DESIGNS' count of 13. A notification states 'You are currently using a free account.' In the center, the 'All designs' section is highlighted, with a search bar and a list of collections. The 'Create new design' button is circled in red. A yellow callout bubble with a red border contains the Chinese text '建立一個新的設計' (Create a new design). The Windows taskbar at the bottom shows the system tray with the time 09:34.

Community Challenge: Help Peter find his Valentine! Make some contestants for him in the #PenguinDatingGame for a chance to get Tinkercad gear.

TINKERCAD

FEATURES LEARN GALLERY BLOG

cpw

Edit profile

DESIGNS 13

You are currently using a free account.

Search designs...

All designs

Here are the designs you have created or which have been shared with you.

COLLECTIONS

All designs

Lessons

PROJECTS

PRIVATE PRIVATE PRIVATE

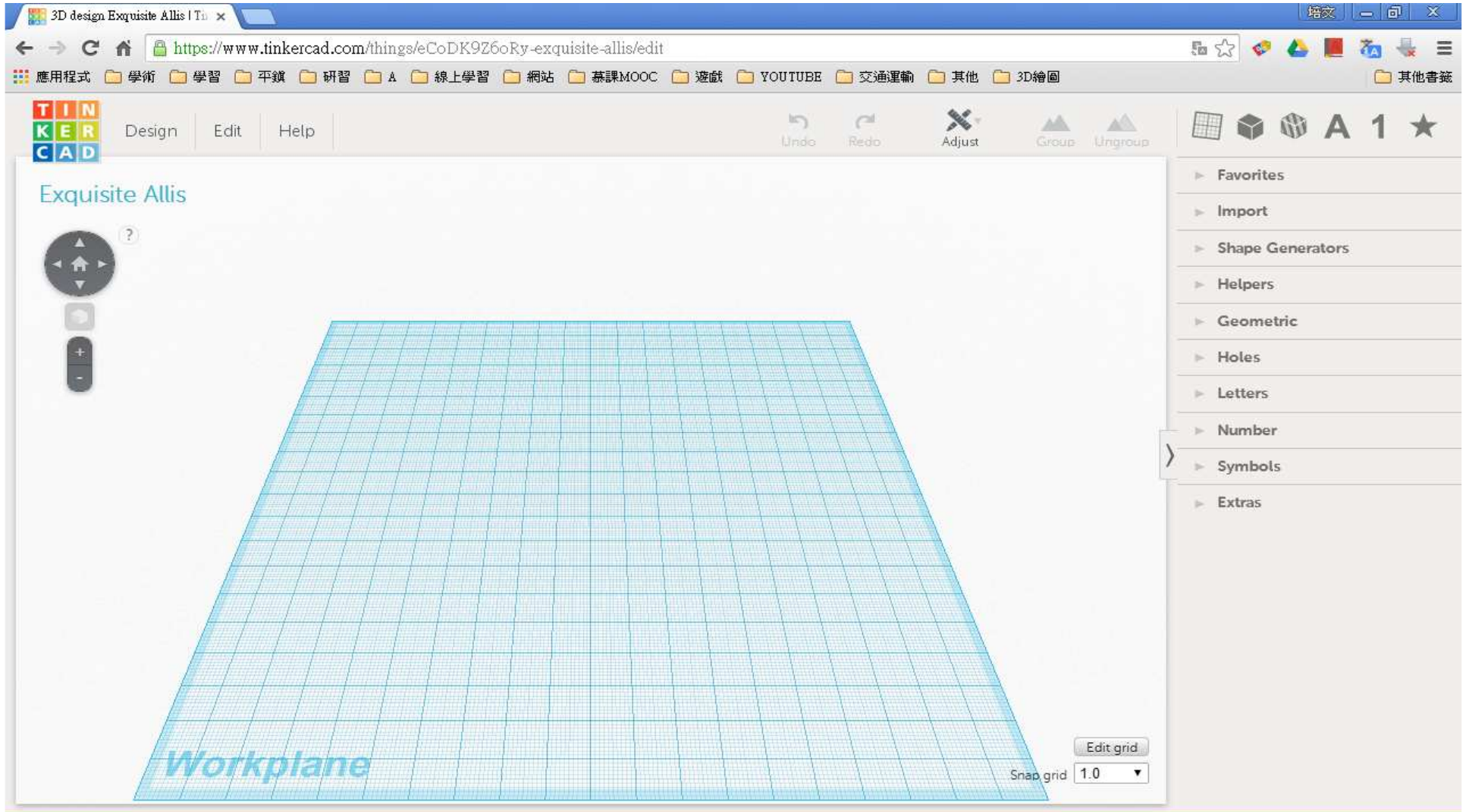
開始

All designs | Tinkercad ...

Microsoft PowerPoint ...

下午 09:34

設計畫面功能說明



設計畫面功能說明 1

The image shows the Tinkercad software interface. At the top left is the Tinkercad logo, a 3x3 grid of colored squares with the letters T, I, N, K, E, R, C, A, D. To the right of the logo are three menu buttons: Design, Edit, and Help. A blue callout box with the text "回到首頁" (Return to Home) points to the Design menu. Three red-bordered boxes provide detailed views of the Design, Edit, and Help menus. Blue arrows point from the menu buttons in the main interface to their respective detailed views.

回到首頁

Design	Edit	Help
New		
Duplicate		
Save		
Properties		
Download for 3D Printing		
Download for Minecraft		
Order a 3D Print		
Upload to Thingiverse		
Close		

Edit	Help
Copy	複製
Paste	貼
Duplicate	複製
Delete	刪除

Help	
Watch Tinkercad Tutorial Video	關注Tinkercad視頻教程
Learn more about Tinkercad	了解更多關於Tinkercad

設計畫面功能說明 2

載入2D及3D檔案 (import) :

1. 從檔案中下載
2. 從網路中下載

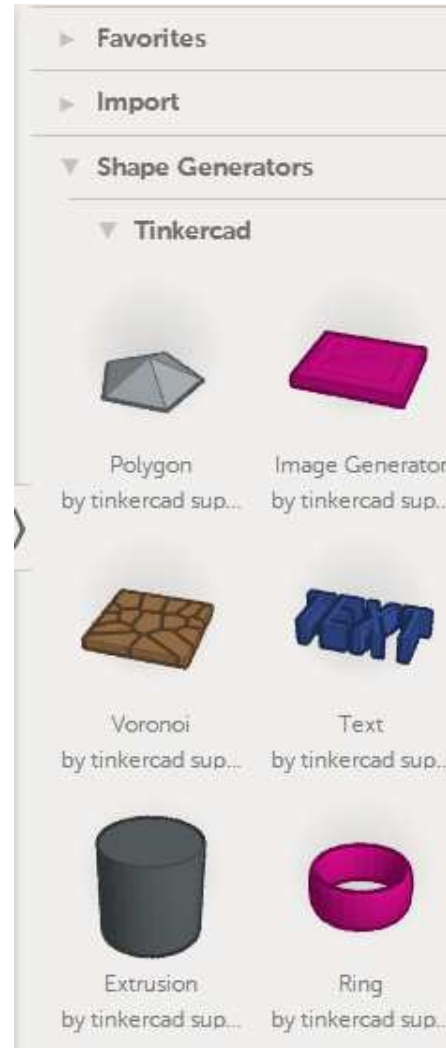
檔案下載格式必須是
. STL及. SVG



設計畫面功能說明 3

造型產生器 (Shape Generators)

1. Tinkercad內設素材
2. 網路使用者的素材
3. 個人的素材



來練習看看囉

2. 移動滑鼠到工作平面上
3. 在工作平面上點一下滑鼠左鍵置放物件

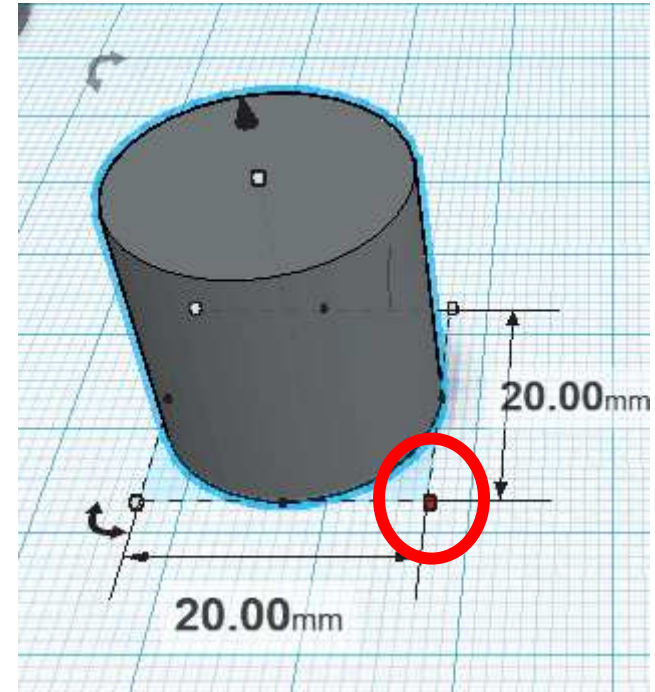
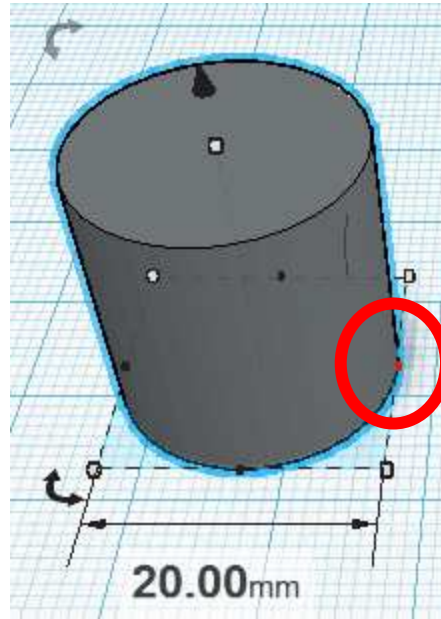
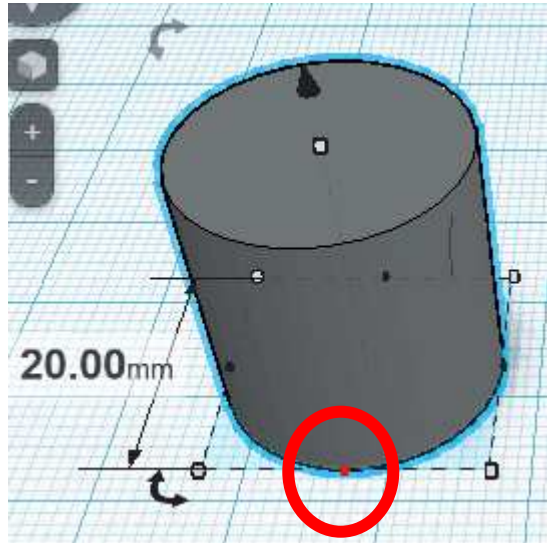
這裡可以改變形狀喔

1. 點選要用的素材

記得將移動間距改為0.1mm

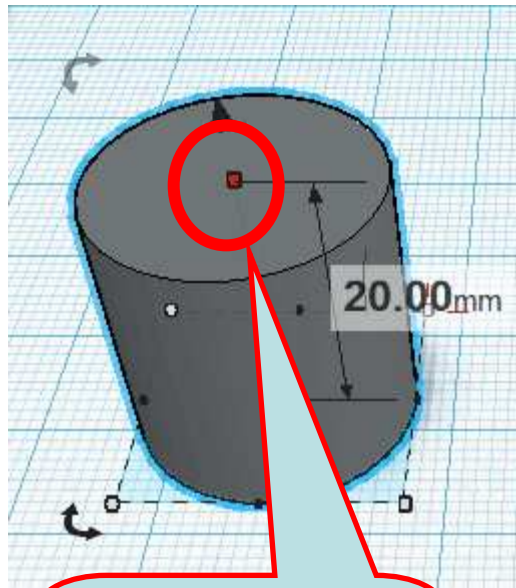


改變「長」及「寬」

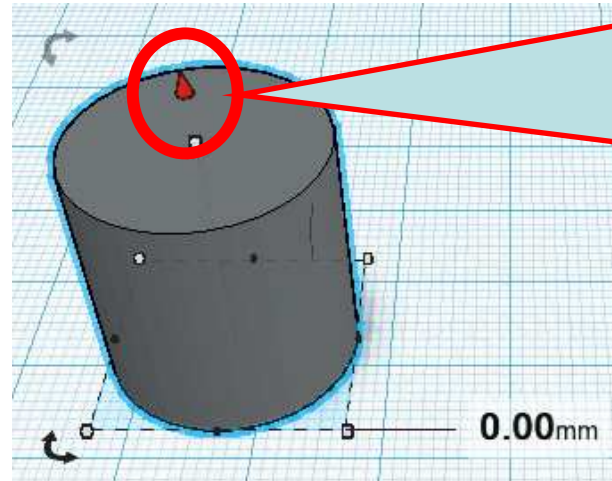


按住「Shift」鍵，可同時等比例改變
「長」、「寬」、「高」

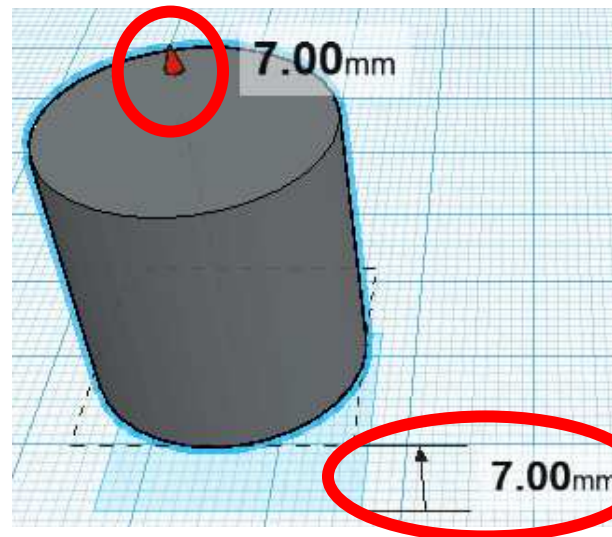
改變「高」及「升降」



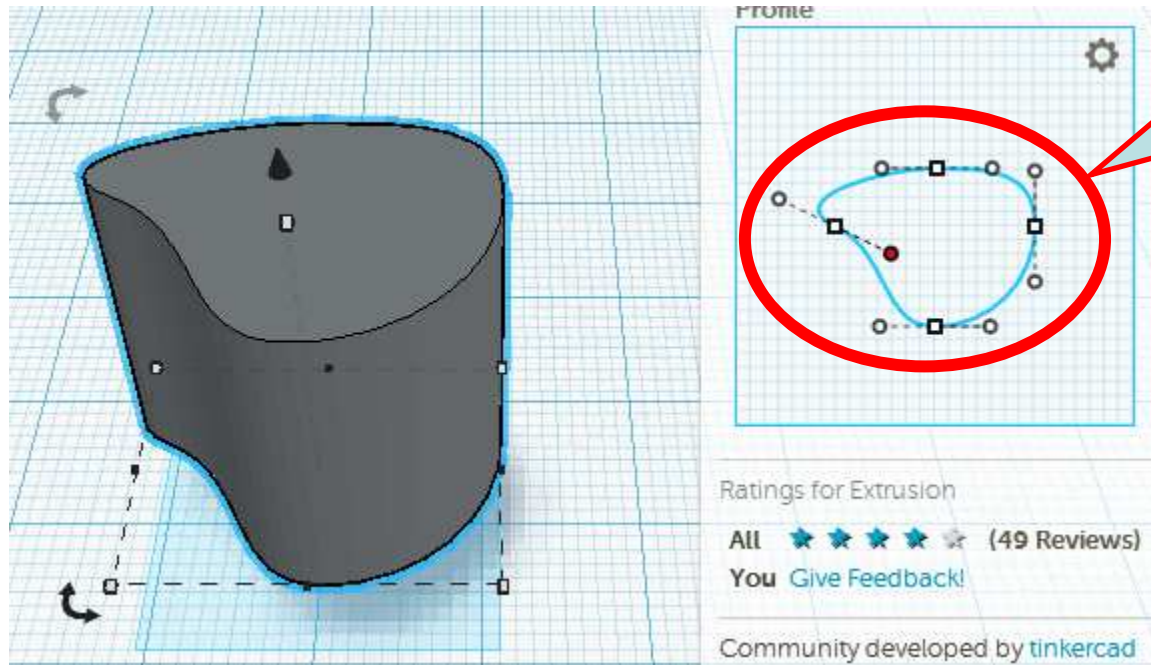
改變物件
高度



按住滑鼠
左鍵可向
上或向下
讓物件上
升或下降

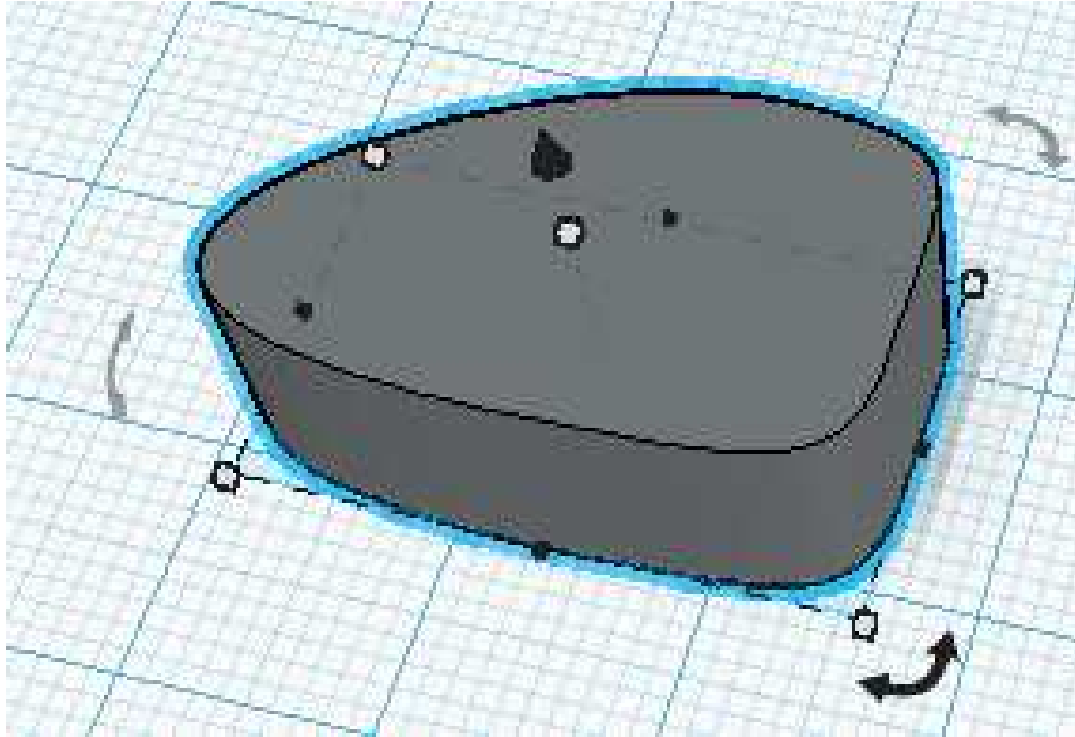


改變「形狀」



利用控點來
改變形狀

練習：換你試看看



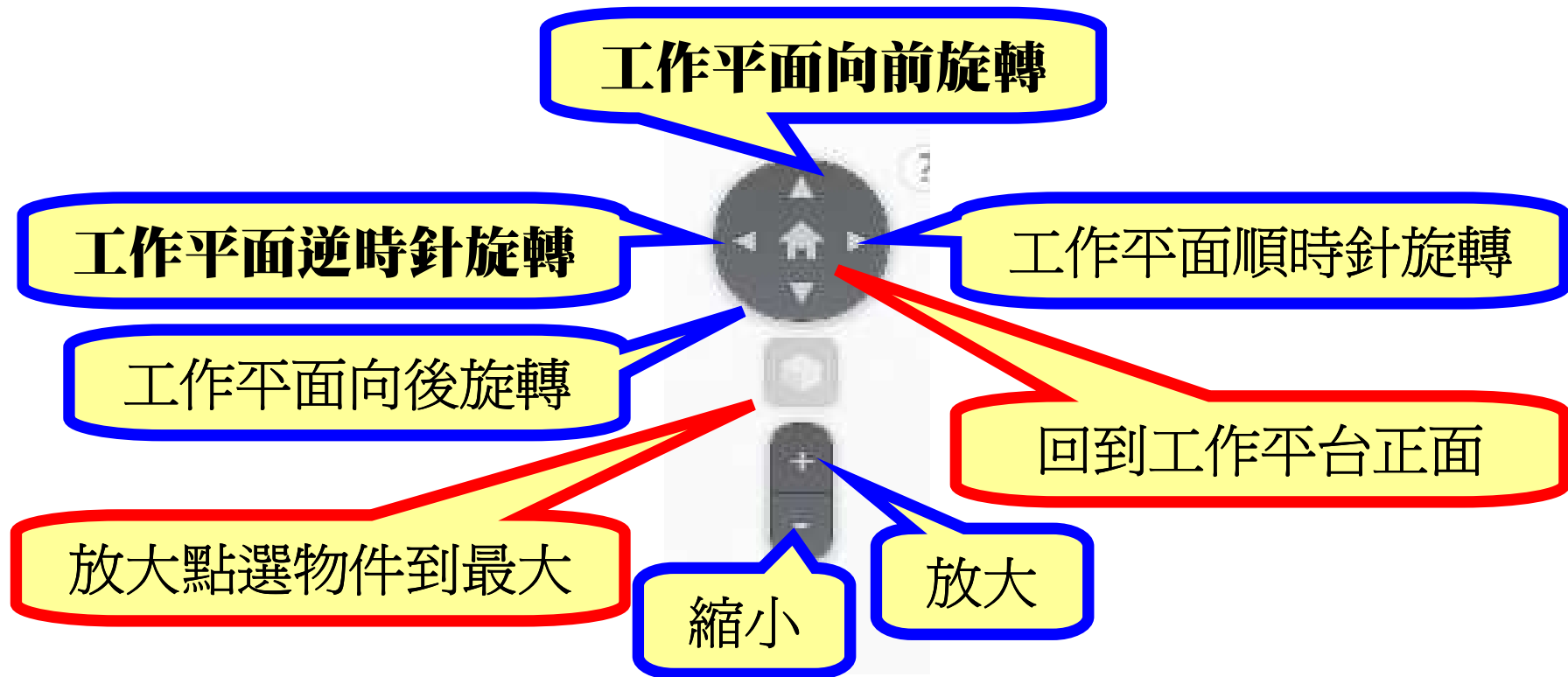
請試做一個模型

長：25mm

寬：15mm

高：10mm

設計畫面功能說明 2



1. 按住滑鼠右鍵，可任意旋轉工作平台。
2. 滑鼠中間滾輪可放大、縮小工作平台。
3. 滑鼠左鍵可點選工作物件。